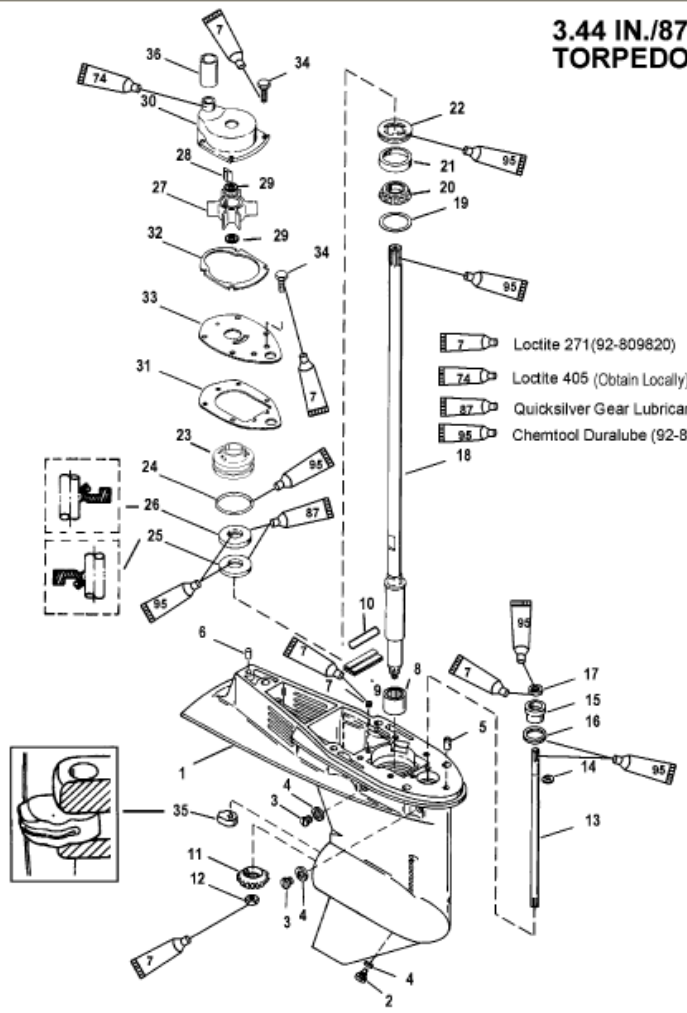


**3.44 IN./87.37MM  
 TORPEDO DIA.**



- Loctite 271(92-809820)
- Loctite 405 (Obtain Locally)
- Quicksilver Gear Lubricant (92-802844Q1)
- Chemtool Duralube (92-802859A1)

**Parts List**

Ref	Class	Part	Description	Qty	Comment	Footnote
-	1671	9760T41	GEAR HOUSING	1	(COMPLETE)	
1	1671	9760T42	GEAR HOUSING	1	(BASIC)	
2	10	79953Q 2	DRAIN SCREW	1		
3	10	79953Q 2	SCREW	2		
4	12	19183 2	WASHER-SEALING	3		15,18
5	17	43043	DOWEL PIN	1		
6	17	43044	DOWEL PIN	1		
7	22	878089	PIPE PLUG	1		
8	31	812768	ROLLER BEARING	1		
9		818226A 1	SEAL KIT	1		
10		NSS	FILLER PLATE	1		
11	43	859103T	PINION GEAR (12 TEETH)	1		
12	11	55910	NUT	1		
13		859607A 1	SHIFT SHAFT ASSEMBLY	1		
14	53	29641	RETAINING RING	1		
15	23	813696A 2	BUSHING ASSEMBLY	1		
16	25	45258	O-RING	1		15
17	26	816464 1	OIL SEAL	1		15
18	45	859102	DRIVE SHAFT	1		
19	15	812770A 1	SHIM SET	AR		
20	31	77420A 1	TAPERED ROLLER BEARING	1		
21		NSS	CUP	1		
22	11	812820 1	NUT	1		
23	46	812966A 7	WATER PUMP BASE	1		18
24	25	30224	O-RING	1		15,18
25	26	814669	OIL SEAL	1		15,18
26	26	814670	OIL SEAL	1		15,18
27	47	19453T	IMPELLER	1		18
28	28	19699	KEY	1		18
29	12	858234	WASHER	2		18
30		14334A 3	WATER PUMP	1		18
31	27	19701	GASKET (LOWER)	1		15,18
32	27	822189	GASKET (UPPER)	1		15,18
33		19700A 2	FACE PLATE	1		18
34	10	824832 4	SCREW (M6 X 16)	6		
35		76039 4	SHIFT CAM	1		
36		859770	COUPLER	1		
-	26	814669A 2	GEAR HOUSING SEAL KIT	1		
-	46	812966A11	WATER PUMP REPAIR KIT	1		